



Hurricane Resistant Product

Blast Mitigation Product

## **Features**

- 350 IR medium stile has 3-1/2" (88.9) vertical stiles, 3-1/2" (88.9) top and 6-1/2" (165.1) bottom rails
- 500 IR wide stile has 5" (127) vertical stile, 5" (127) top and 6-1/2" (165.1) bottom rail.
- Door is 1-3/4" (44.5) deep
- Dual moment welded corner construction
- Single acting
- Square stops for 9/16" (14.3) or 1" (25.4) glazing infill for use with Kuraray SentryGlas® dry glazing
- Offset pivots, butt hinges or continuous geared hinge
- MS locks and 3-point locks or exit device hardware
- Surface mounted or concealed closers
- Architects Classic push/pulls
- Adjustable astragal utilizing pile weathering with polymeric fin at meeting stiles
- Polymeric bulb weatherstripping in door frames
- Permanodic™ anodized finishes in seven choices
- Painted finishes in standard and custom choices

## **Optional Features**

- Paneline™ / Paneline™ EL exit device (Hurricane Resistant applications only)
- Square stops with interior silicone seal for 9/16" (14.3) glazing infill
- Square stops with 3M® VHB interior tape for 9/16" (14.3) or 1" (25.4) glazing infill
- Variety of bottom rails and horizontal cross rails

## **Product Applications**

- 350 IR medium stile and 500 IR wide stile provides extra strength for schools, institutions and other high traffic applications where codes require wind borne debris protection or blast mitigation protection

For specific product applications,  
Consult your Kawneer representative.

Laws and building and safety codes governing the design and use of glazed entrance, window, and curtain wall products vary widely. Kawneer does not control the selection of product configurations, operating hardware, or glazing materials, and assumes no responsibility therefor.

Kawneer reserves the right to change configuration without prior notice when deemed necessary for product improvement.

© Kawneer Company, Inc., 2014

Laws and building and safety codes governing the design and use of glazed entrance, window, and curtain wall products vary widely. Kawneer does not control the selection of product configurations, operating hardware, or glazing materials, and assumes no responsibility therefor.

Kawneer reserves the right to change configuration without prior notice when deemed necessary for product improvement.  
© Kawneer Company, Inc., 2014

**PICTORIAL VIEW ..... 5**

**DOOR TYPE/SECTION DIMENSIONS ..... 6**

**HURRICANE RESISTANT FRAMING DETAILS**

**IR 500 ENTRANCE..... 7**

**IR 501 ENTRANCE..... 8**

**FRAMES/SUB-FRAMES**

**TRIFAB™ VG 450/451/ TRIFAB™ 601/1600 WALL ..... 9**

**FRAMING OPTIONS ..... 10**

**STANDARD ENTRANCE PACKAGES..... 11**

**ENTRANCE HARDWARE OFFERINGS ..... 12**

**PUSH-PULL HARDWARE..... 13**

**PANELINE™/PANELINE™ EL EXIT DEVICES ..... 14-15**

**CROSS RAIL OPTIONS ..... 16**

**BLAST MITIGATION FRAMING DETAILS**

**IR 501 ENTRANCE..... 17**

**ENTRANCE HARDWARE OFFERINGS ..... 18-20**

LAWS AND BUILDING AND SAFETY CODES GOVERNING THE DESIGN AND USE OF GLAZED ENTRANCE, WINDOW, AND CURTAIN WALL PRODUCTS VARY WIDELY. KAWNEER DOES NOT CONTROL THE SELECTION OF PRODUCT CONFIGURATIONS, OPERATING HARDWARE, OR GLAZING MATERIALS, AND ASSUMES NO RESPONSIBILITY THEREFOR.

Metric (SI) conversion figures are included throughout these details for reference. Numbers in parentheses ( ) are millimeters unless otherwise noted.

The following metric (SI ) units are found in these details:

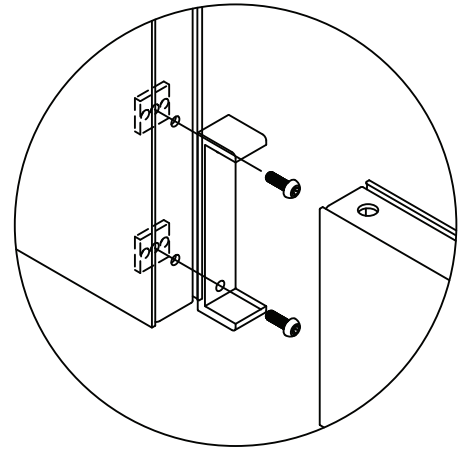
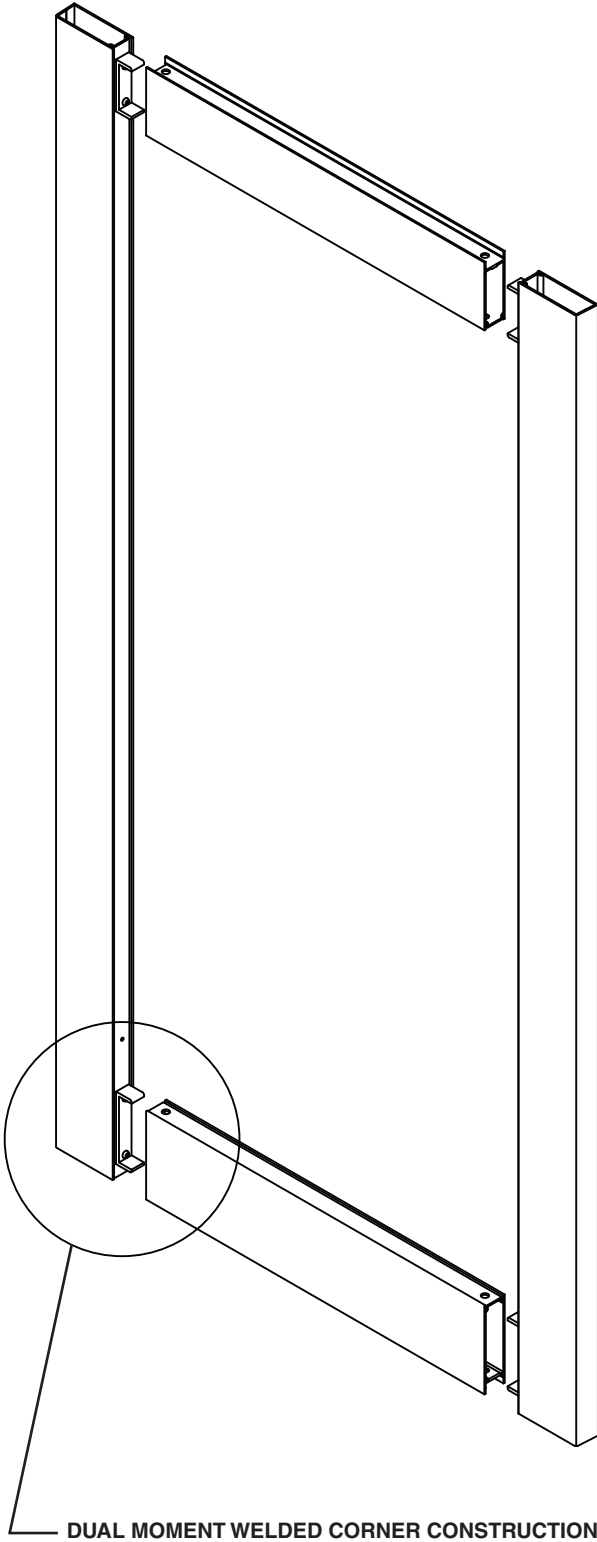
- m – meter
- cm – centimeter
- mm – millimeter
- s – second
- Pa – pascal
- MPa – megapascal

Kawneer reserves the right to change configurations without prior notice when deemed necessary for product improvement.

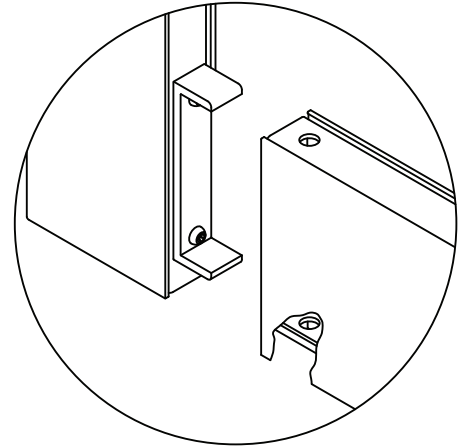
Laws and building and safety codes governing the design and use of glazed entrance, window, and curtain wall products vary widely. Kawneer does not control the selection of product configurations, operating hardware, or glazing materials, and assumes no responsibility therefor.

Kawneer reserves the right to change configuration without prior notice when deemed necessary for product improvement.

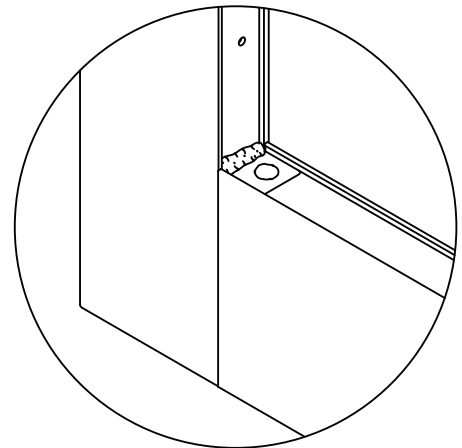
© Kawneer Company, Inc., 2014



**#1 MECHANICAL FASTENING** is accomplished by attaching a 5/16" (7.9) thick extruded aluminum channel clip to the vertical stile with 1/4"-20 heat strengthened bolts and 3/16" thick steel nut plates for a high strength welding base for attachment horizontal member.



**#2 SIGMA\* DEEP PENETRATION PLUG WELDS** are made top and bottom after the horizontal is properly positioned over the channel clip to help provide the strongest door corner joint currently available.



**#3 SIGMA\* FILLET WELDS** along both top and bottom webs of the rail extrusion complete the welded corner construction.

\* An arc welding process known as Shielded Inert Gas Metal Arc (SIGMA) or also known as Metal Inert Gas (MIG).

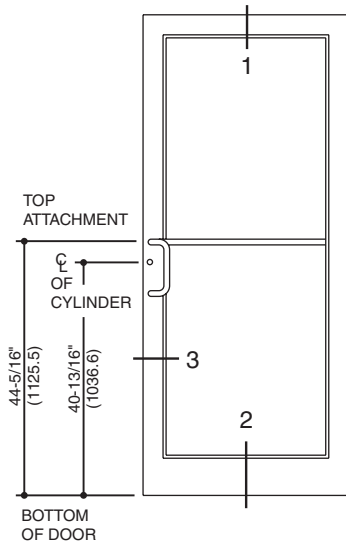
Laws and building and safety codes governing the design and use of glazed entrance, window, and curtain wall products vary widely. Kawneer does not control the selection of product configurations, operating hardware, or glazing materials, and assumes no responsibility therefor.

Kawneer reserves the right to change configuration without prior notice when deemed necessary for product improvement.  
© Kawneer Company, Inc., 2014

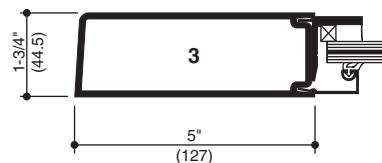
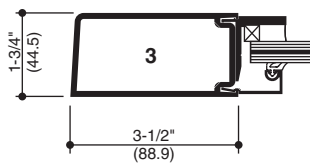
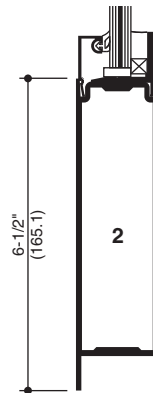
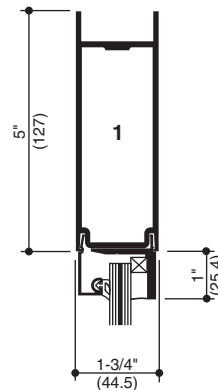
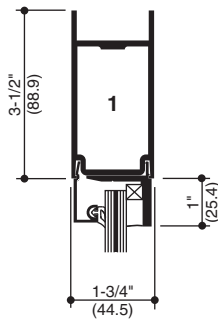
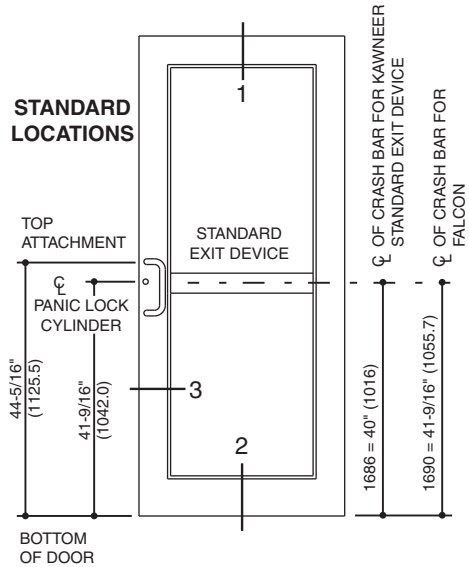
 Hurricane Resistant Product

SCALE 3" = 1' 0"

350 IR MEDIUM STILE



500 IR WIDE STILE



SINGLE ACTING

SINGLE ACTING

Laws and building and safety codes governing the design and use of glazed entrance, window, and curtain wall products vary widely. Kawneer does not control the selection of product configurations, operating hardware, or glazing materials, and assumes no responsibility therefor.

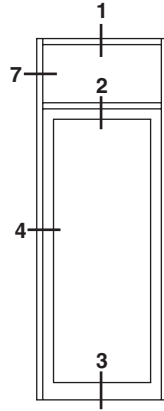
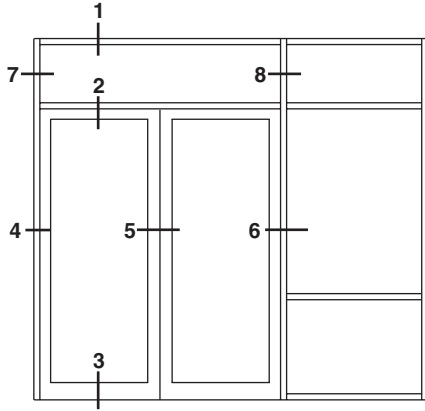
Kawneer reserves the right to change configuration without prior notice when deemed necessary for product improvement.

© Kawneer Company, Inc., 2014

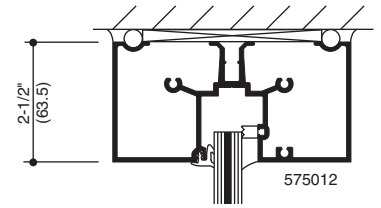
SCALE 3" = 1'-0"

NOTE:

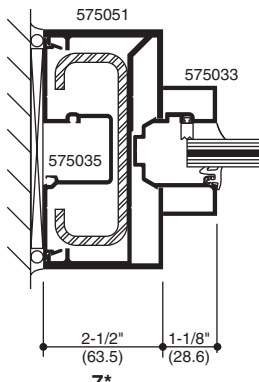
- 1. 350 IR MEDIUM STILE DOORS ARE DETAILED. 500 IR WIDE STILE DOORS MAY ALSO BE USED.
- 2. IR 500 FRAMING WITH 9/16" (14.3) GLAZING IS DETAILED WITH THESE DOORS FOR REFERENCE. OTHER GLAZING INFILLS MAY BE USED WITH THE IR 500 SERIES FRAMING. SEE CATALOG SECTION IR 500/501 FRAMING FOR APPROPRIATE DETAILS.



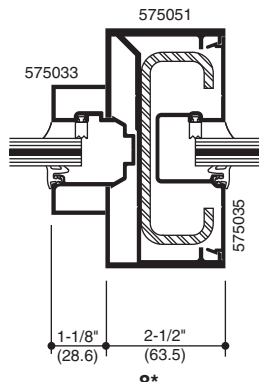
ELEVATION IS NUMBER KEYED TO DETAILS



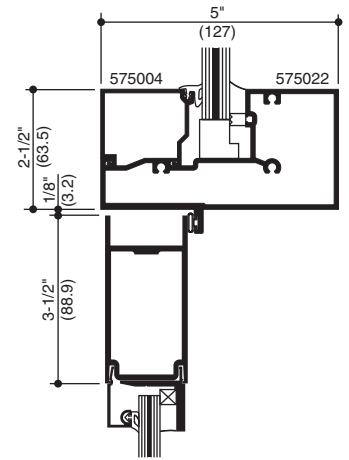
1  
TRANSOM HEAD



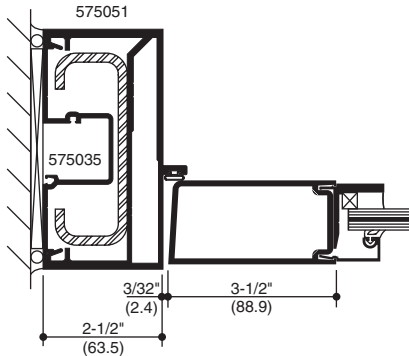
7\*  
DOOR JAMB  
AT TRANSOM



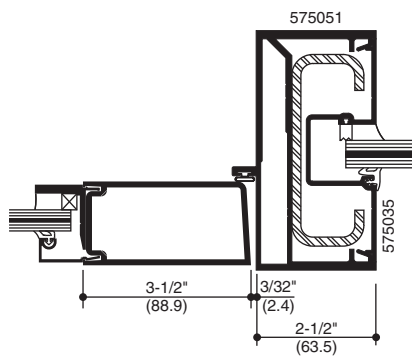
8\*  
DOOR JAMB  
AT TRANSOM



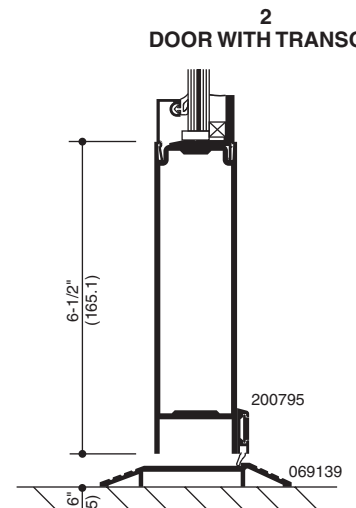
2  
DOOR WITH TRANSOM



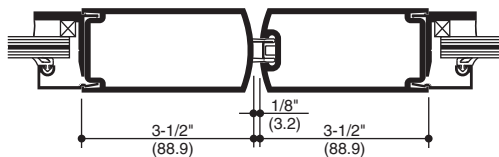
4  
DOOR JAMB



6  
DOOR JAMB



3  
THRESHOLD



5  
PAIR OF DOORS

\* STEEL REINFORCING AS REQUIRED.

Laws and building and safety codes governing the design and use of glazed entrance, window, and curtain wall products vary widely. Kawneer does not control the selection of product configurations, operating hardware, or glazing materials, and assumes no responsibility therefor.

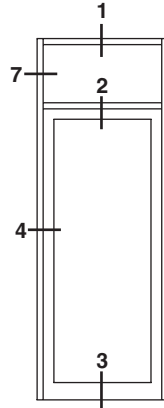
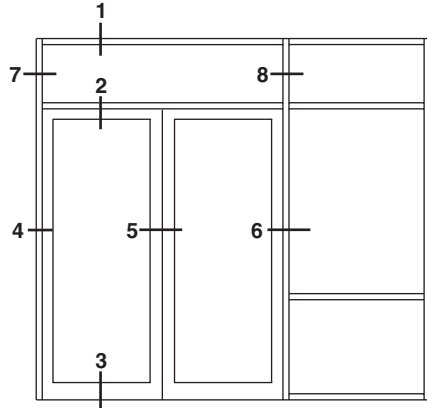
Kawneer reserves the right to change configuration without prior notice when deemed necessary for product improvement.  
© Kawneer Company, Inc., 2014

 Hurricane Resistant Product

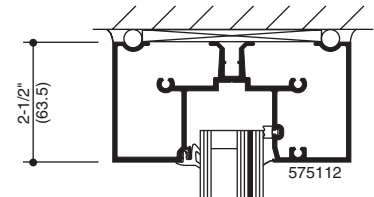
SCALE 3" = 1'-0"

**NOTE:**

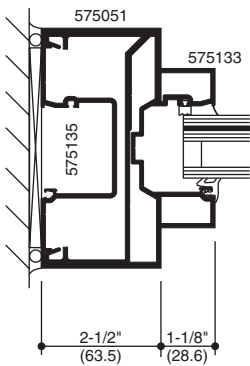
- 350 IR MEDIUM STILE DOORS ARE DETAILED. 500 IR WIDE STILE DOORS MAY ALSO BE USED.
- IR 501 FRAMING WITH 1-5/16" (33.3) GLAZING IS DETAILED WITH THESE DOORS FOR REFERENCE. OTHER GLAZING INFILLS MAY BE USED WITH THE IR 501 SERIES FRAMING. SEE CATALOG SECTION IR 500/501 FRAMING FOR APPROPRIATE DETAILS.



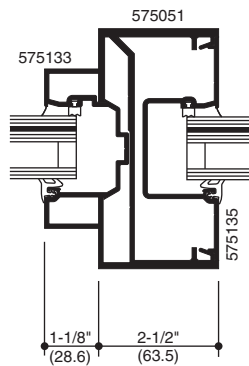
ELEVATION IS NUMBER KEYED TO DETAILS



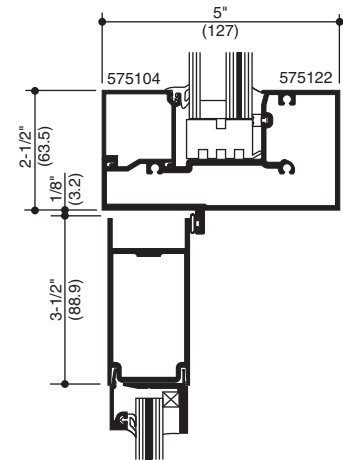
**1**  
TRANSOM HEAD



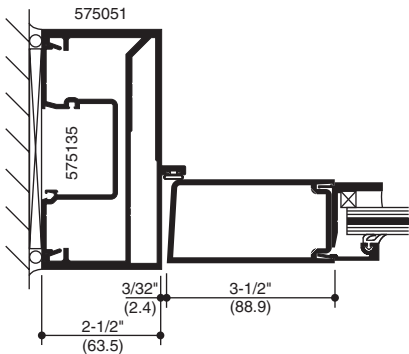
**7**  
DOOR JAMB  
AT TRANSOM



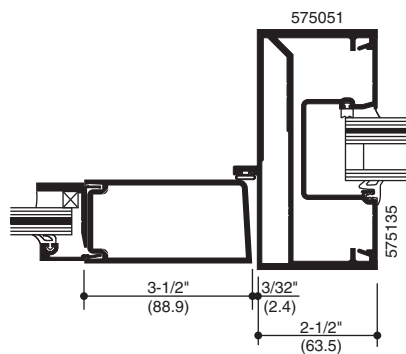
**8**  
DOOR JAMB  
AT TRANSOM



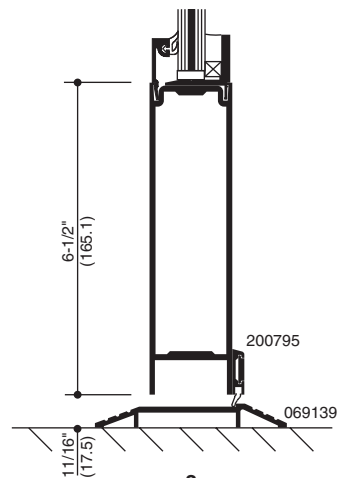
**2**  
DOOR WITH  
TRANSOM



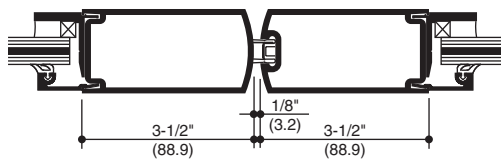
**4**  
DOOR JAMB



**6**  
DOOR JAMB



**3**  
THRESHOLD



**5**  
PAIR OF DOORS

Laws and building and safety codes governing the design and use of glazed entrance, window, and curtain wall products vary widely. Kawneer does not control the selection of product configurations, operating hardware, or glazing materials, and assumes no responsibility therefor.

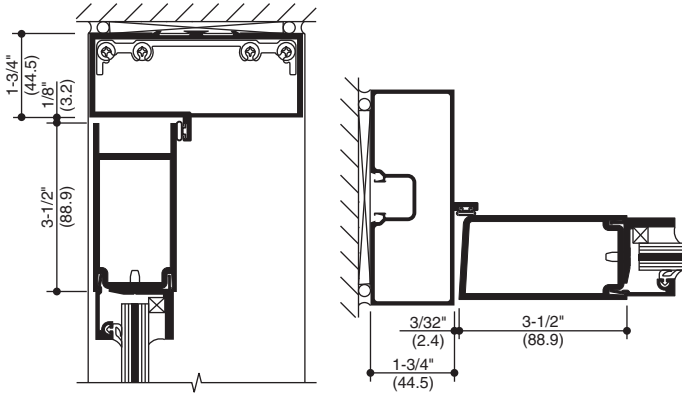
Kawneer reserves the right to change configuration without prior notice when deemed necessary for product improvement.

© Kawneer Company, Inc., 2014

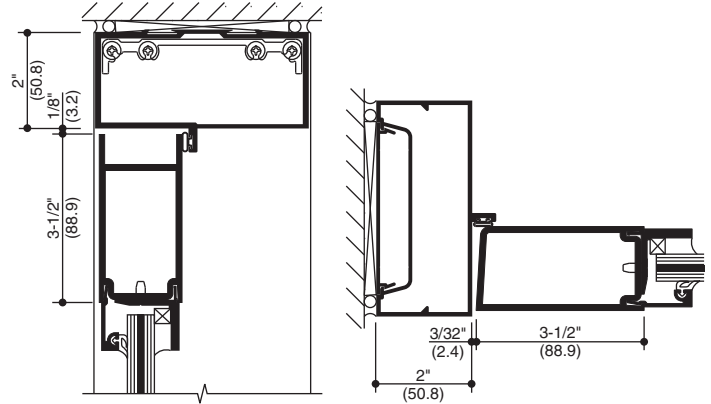


SCALE 3" = 1'-0"

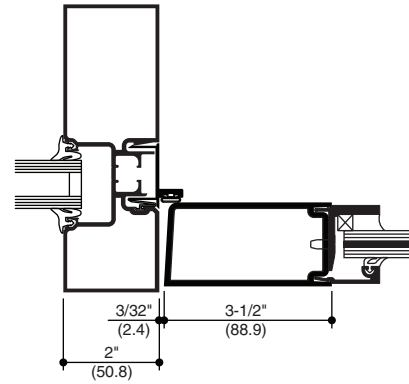
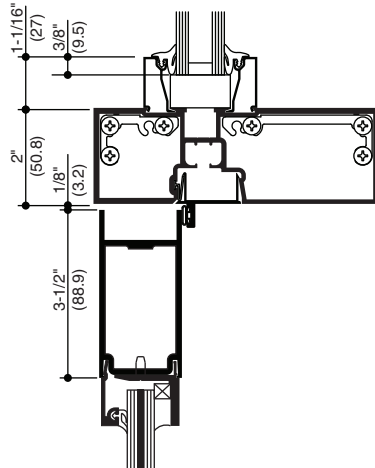
TRIFAB™ VG 450 FRAMING



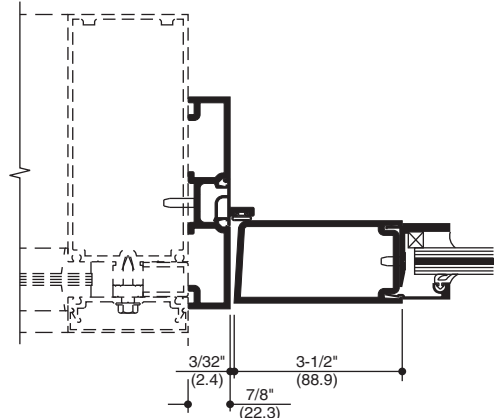
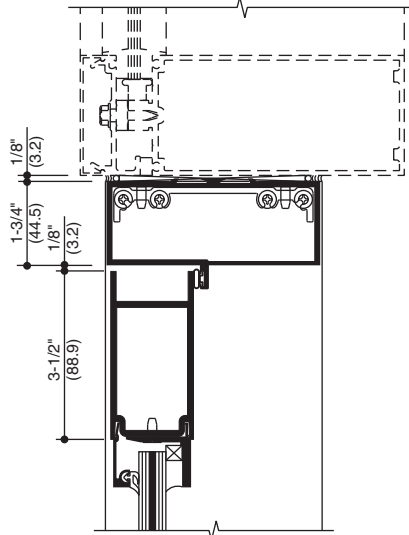
TRIFAB™ VG 451 FRAMING



TRIFAB™ 601 FRAMING



1600 WALL SUB FRAMING



Laws and building and safety codes governing the design and use of glazed entrance, window, and curtain wall products vary widely. Kawneer does not control the selection of product configurations, operating hardware, or glazing materials, and assumes no responsibility therefor.

Kawneer reserves the right to change configuration without prior notice when deemed necessary for product improvement.

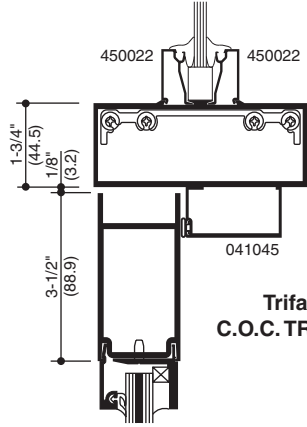
© Kawneer Company, Inc., 2014

## FRAMING OPTIONS

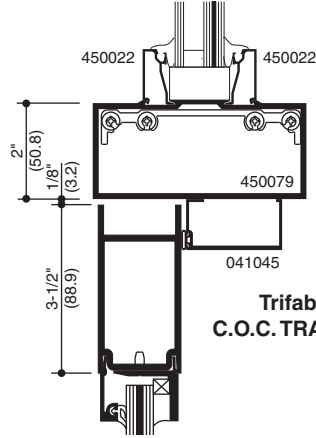
EC 97911-083

 Hurricane Resistant Product

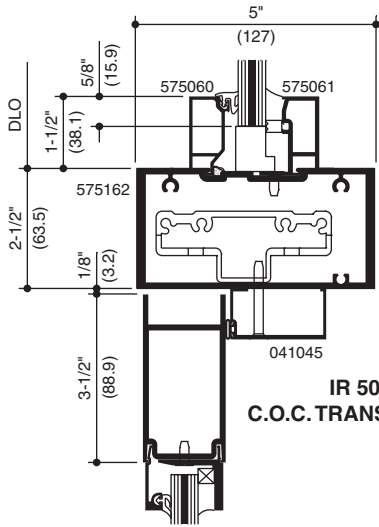
SCALE 3" = 1' - 0"



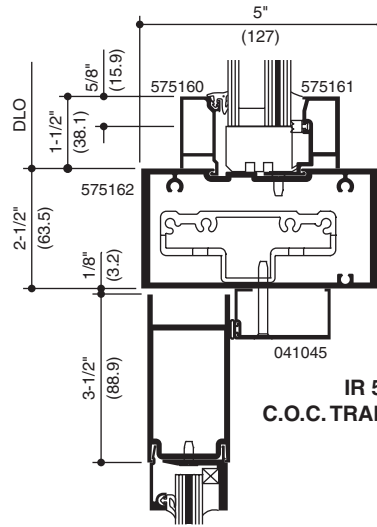
**Trifab VG 450  
C.O.C. TRANSOM BAR**



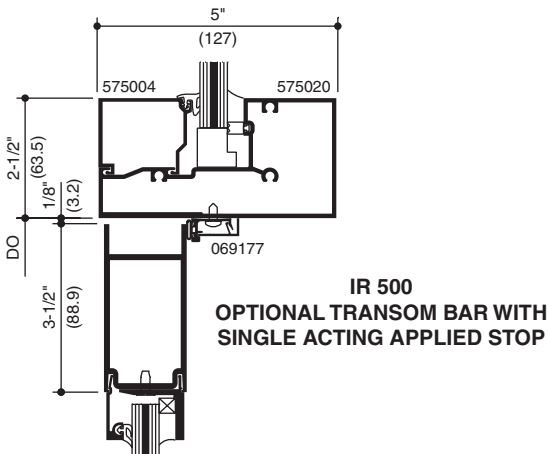
**Trifab VG 451  
C.O.C. TRANSOM BAR**



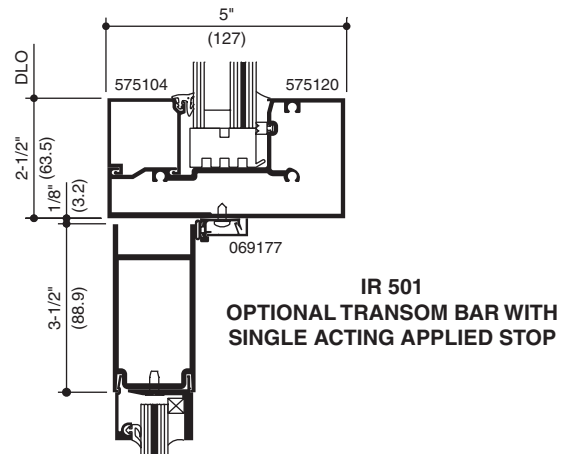
**IR 500  
C.O.C. TRANSOM BAR**



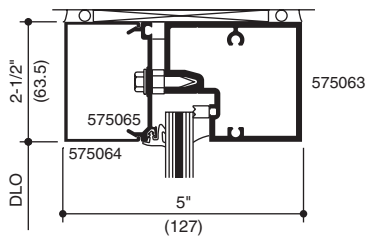
**IR 501  
C.O.C. TRANSOM BAR**



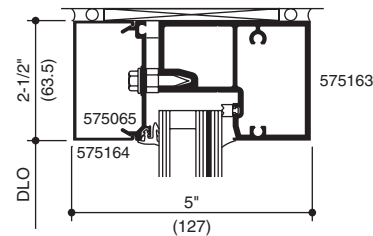
**IR 500  
OPTIONAL TRANSOM BAR WITH  
SINGLE ACTING APPLIED STOP**



**IR 501  
OPTIONAL TRANSOM BAR WITH  
SINGLE ACTING APPLIED STOP**



**IR 500 RADIUS HEAD**



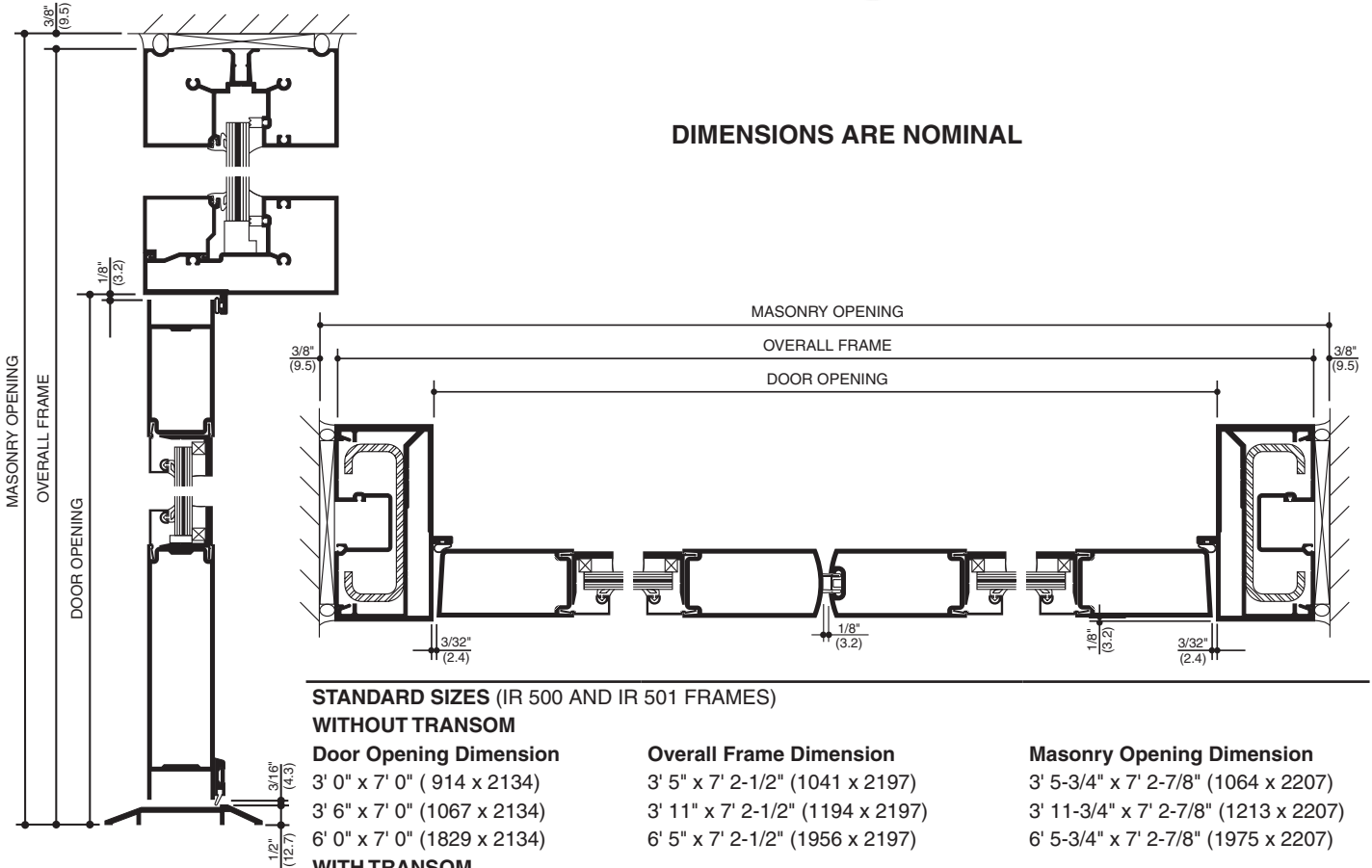
**IR 501 RADIUS HEAD**

Laws and building and safety codes governing the design and use of glazed entrance, window, and curtain wall products vary widely. Kawneer does not control the selection of product configurations, operating hardware, or glazing materials, and assumes no responsibility therefor.

Kawneer reserves the right to change configuration without prior notice when deemed necessary for product improvement.

© Kawneer Company, Inc., 2014

SCALE 3" = 1' 0"



DIMENSIONS ARE NOMINAL

**STANDARD SIZES (IR 500 AND IR 501 FRAMES)**

**WITHOUT TRANSOM**

**Door Opening Dimension**

3' 0" x 7' 0" ( 914 x 2134)  
 3' 6" x 7' 0" (1067 x 2134)  
 6' 0" x 7' 0" (1829 x 2134)

**Overall Frame Dimension**

3' 5" x 7' 2-1/2" (1041 x 2197)  
 3' 11" x 7' 2-1/2" (1194 x 2197)  
 6' 5" x 7' 2-1/2" (1956 x 2197)

**Masonry Opening Dimension**

3' 5-3/4" x 7' 2-7/8" (1064 x 2207)  
 3' 11-3/4" x 7' 2-7/8" (1213 x 2207)  
 6' 5-3/4" x 7' 2-7/8" (1975 x 2207)

**WITH TRANSOM**

**Door Opening Dimension**

Unchanged from above.

**Masonry Opening Dimension**

Add 3' 2-1/2" (978) to above heights.

**Masonry Opening Dimension**

Add 3' 2-1/2" (978) to above heights.

**STANDARD SIZES (TRIFAB™ VG 450 CENTER FRAMES)**

**WITHOUT TRANSOM**

**Door Opening Dimension**

3' 0" x 7' 0" ( 914 x 2134)  
 3' 6" x 7' 0" (1067 x 2134)  
 6' 0" x 7' 0" (1829 x 2134)

**Overall Frame Dimension**

3' 3-1/2" x 7' 1-3/4" (1003 x 2178)  
 3' 9-1/2" x 7' 1-3/4" (1156 x 2178)  
 6' 3-1/2" x 7' 1-3/4" (1918 x 2178)

**Masonry Opening Dimension**

3' 4-1/4" x 7' 2-1/8" (1022 x 2188)  
 3' 10-1/4" x 7' 2-1/8" (1175 x 2188)  
 6' 4-1/4" x 7' 2-1/8" (1937 x 2188)

**WITH TRANSOM**

**Door Opening Dimension**

Unchanged from above.

**Masonry Opening Dimension**

Add 3' 1-3/4" (959) to above heights.

**Masonry Opening Dimension**

Add 3' 1-3/4" (959) to above heights.

**STANDARD SIZES (TRIFAB™ VG 451, AND TRIFAB™ 601 CENTER FRAMES)**

**WITHOUT TRANSOM**

**Door Opening Dimension**

3' 0" x 7' 0" ( 914 x 2134)  
 3' 6" x 7' 0" (1067 x 2134)  
 6' 0" x 7' 0" (1829 x 2134)

**Overall Frame Dimension**

3' 4" x 7' 2" (1016 x 2184)  
 3' 10" x 7' 2" (1168 x 2184)  
 6' 4" x 7' 2" (1930 x 2184)

**Masonry Opening Dimension**

3' 4-3/4" x 7' 2-3/8" (1035 x 2194)  
 3' 10-3/4" x 7' 2-3/8" (1187 x 2194)  
 6' 4-3/4" x 7' 2-3/8" (1949 x 2194)

**WITH TRANSOM**

**Door Opening Dimension**

Unchanged from above.

**Masonry Opening Dimension**

Add 3' 2" (965) to above heights.

**Masonry Opening Dimension**

Add 3' 2" (965) to above heights.

**STANDARD SIZES (1600 WALL SUB FRAMES)**

**WITHOUT TRANSOM**

**Door Opening Dimension**

3' 0" x 7' 0" ( 914 x 2134)  
 3' 6" x 7' 0" (1067 x 2134)  
 6' 0" x 7' 0" (1829 x 2134)

**Overall Frame Dimension**

3' 6-3/4" x 7' 4-3/8" (1086 x 2245)  
 4' 3/4" x 7' 4-3/8" (1238 x 2245)  
 6' 6-3/4" x 7' 4-3/8" (2000 x 2245)

**Masonry Opening Dimension**

3' 7-3/4" x 7' 4-7/8" (1111 x 2257)  
 4' 1-3/4" x 7' 4-7/8" (1264 x 2257)  
 6' 7-3/4" x 7' 4-7/8" (2026 x 2257)

**WITH TRANSOM**

**Door Opening Dimension**

Unchanged from above.

**Masonry Opening Dimension**

Add 3' 2-1/2" (978) to above heights.

**Masonry Opening Dimension**

Add 3' 2-1/2" (978) to above heights.

Laws and building and safety codes governing the design and use of glazed entrance, window, and curtain wall products vary widely. Kawneer does not control the selection of product configurations, operating hardware, or glazing materials, and assumes no responsibility therefor.

Kawneer reserves the right to change configuration without prior notice when deemed necessary for product improvement.  
 © Kawneer Company, Inc., 2014



| LOCKING OPTIONS   | MAXIMUM DOOR SIZE  | MAXIMUM DESIGN PRESSURE   | HINGING OPTIONS                                  | GLAZING STOP OPTIONS | GLASS THICKNESS |
|---|--|---------------------------|--|----------------------|-----------------|
| 4 MS 1850<br>3-Point Lock<br>(Active leaf)<br><br>Flushbolts<br>(Inactive leaf)                     | Single 4'-0" x 8'-0" (1219.2 x 2438.4)<br>Pair 8'-0" x 8'-0" (2438.4 x 2438.4) | ± 70 PSF                  | Offset Pivots<br>Butt Hinges<br>Continuous Hinge | 1, 2, 3              | 9/16" (14.3)    |
|   | Single 3'-6" x 7'-0" (1066.8 x 2133.6)   | ± 90 PSF                  |  | 2, 3                 | 1" (25.4)       |
| MS 1850<br>3-Point Lock<br>(Active leaf)<br>Adams Rite 2180<br>2 Point Dead Lock<br>(Inactive leaf) | Single 4'-0" x 8'-0" (1219.2 x 2438.4)<br>Pair 8'-0" x 8'-0" (2438.4 x 2438.4) | ± 90 PSF                  | Offset Pivots<br>Butt Hinges<br>Continuous Hinge | 1, 2, 3              | 9/16" (14.3)    |
|   |  |                           |  | 2, 3                 | 1" (25.4)       |
| 4 Kawneer 1686<br>Concealed Rod<br>Exit Device<br>(EL option)                                       | Single 4'-0" x 8'-0" (1219.2 x 2438.4)<br>Pair 8'-0" x 8'-0" (2438.4 x 2438.4) | ± 90 PSF                  | Offset Pivots<br>Butt Hinges<br>Continuous Hinge | 1, 2, 3              | 9/16" (14.3)    |
|   |  |                           |  | 2, 3                 | 1" (25.4)       |
| Paneline™<br>Concealed Rod<br>Exit Device<br>(EL option)  | Single 4'-0" x 8'-0" (1219.2 x 2438.4)<br>Pair 8'-0" x 8'-0" (2438.4 x 2438.4) | ± 70 PSF                  | Offset Pivots<br>Butt Hinges<br>Continuous Hinge | 1, 2, 3              | 9/16" (14.3)    |
|   |  |                           |  | 2, 3                 | 1" (25.4)       |
| Adams Rite G86<br>Concealed Rod<br>Exit Device  | Single 4'-0" x 8'-0" (1219.2 x 2438.4)<br>Pair 8'-0" x 8'-0" (2438.4 x 2438.4) | ± 70 PSF                  | Offset Pivots<br>Butt Hinges<br>Continuous Hinge | 1, 2, 3              | 9/16" (14.3)    |
|   |  |                           |  | 2, 3                 | 1" (25.4)       |
| Calibre 9100<br>Concealed Rod<br>Exit Device  | Single 4'-0" x 8'-0" (1219.2 x 2438.4)<br>Pair 8'-0" x 8'-0" (2438.4 x 2438.4) | ± 70 PSF                  | Offset Pivots<br>Butt Hinges<br>Continuous Hinge | 1, 2, 3              | 9/16" (14.3)    |
|   |  |                           |  | 2, 3                 | 1" (25.4)       |
| 4 Falcon HH1690<br>Concealed Rod<br>Exit Device<br>(EL option)                                      | Single 4'-0" x 8'-0" (1219.2 x 2438.4)<br>Pair 8'-0" x 8'-0" (2438.4 x 2438.4) | ± 65 PSF                  | Offset Pivots<br>Butt Hinges<br>Continuous Hinge | 1, 2, 3              | 9/16" (14.3)    |
|   |  |                           |  | 2, 3                 | 1" (25.4)       |
| Jackson 2086<br>Concealed Rod<br>Exit Device  | Single 4'-0" x 8'-0" (1219.2 x 2438.4)<br>Pair 8'-0" x 8'-0" (2438.4 x 2438.4) | ± 90 PSF                  | Offset Pivots<br>Butt Hinges<br>Continuous Hinge | 1, 2, 3              | 9/16" (14.3)    |
|   |  |                           |  | 2, 3                 | 1" (25.4)       |
| Sargent AD8400<br>Concealed Rod<br>Exit Device  | Single 4'-0" x 8'-0" (1219.2 x 2438.4)<br>Pair 8'-0" x 8'-0" (2438.4 x 2438.4) | ± 65 PSF                  | Offset Pivots<br>Butt Hinges<br>Continuous Hinge | 1, 2, 3              | 9/16" (14.3)    |
|   |  |                           |  | 2, 3                 | 1" (25.4)       |
| 4 Von Duprin HH9947<br>Concealed Rod<br>Exit Device   | Single 4'-0" x 8'-0" (1219.2 x 2438.4)<br>Pair 8'-0" x 8'-0" (2438.4 x 2438.4) | ± 65 PSF                  | Offset Pivots<br>Butt Hinges<br>Continuous Hinge | 1, 2, 3              | 9/16" (14.3)    |
|   |  |                           |  | 2, 3                 | 1" (25.4)       |
| Von Duprin 98/99 XP<br>Concealed Rod<br>Exit Device   | Single 3'-6" x 7'-6" (1066.8 x 2286)<br>Pair 7'-0" x 7'-6" (2133.6 x 2286)     | ± 50 PSF<br>(Zone 3 only) | Offset Pivots<br>Butt Hinges<br>Continuous Hinge | 1, 2, 3              | 9/16" (14.3)    |
|   |  |                           |  | 2, 3                 | 1" (25.4)       |
| Corbin Russwin<br>ED5200SA<br>Rim Device  | Single 4'-0" x 8'-0" (1219.2 x 2438.4)<br>Pair 8'-0" x 8'-0" (2438.4 x 2438.4) | ± 50 PSF                  | Offset Pivots<br>Butt Hinges<br>Continuous Hinge | 1, 2, 3              | 9/16" (14.3)    |
|   |  |                           |  | 2, 3                 | 1" (25.4)       |

#### Glazing Stop Options:

- 1 - Structural silicone with 0.090 Kuraray or Eastman PVB inter layer or 0.090 Kuraray Sentry Glas® inter layer.
- 2 - 3M VHB structural tape with 0.090 Kuraray or Eastman PVB inter layer or 0.090 Kuraray Sentry Glas® inter layer.
- 3 - Dry glazing gasket with 0.090 Kuraray Sentry Glas® inter layer, only for 9/16" (14.3) infill with design pressure < or = 90 PSF.
- 4 - Available in 6'-0" x 9'-0" pairs.

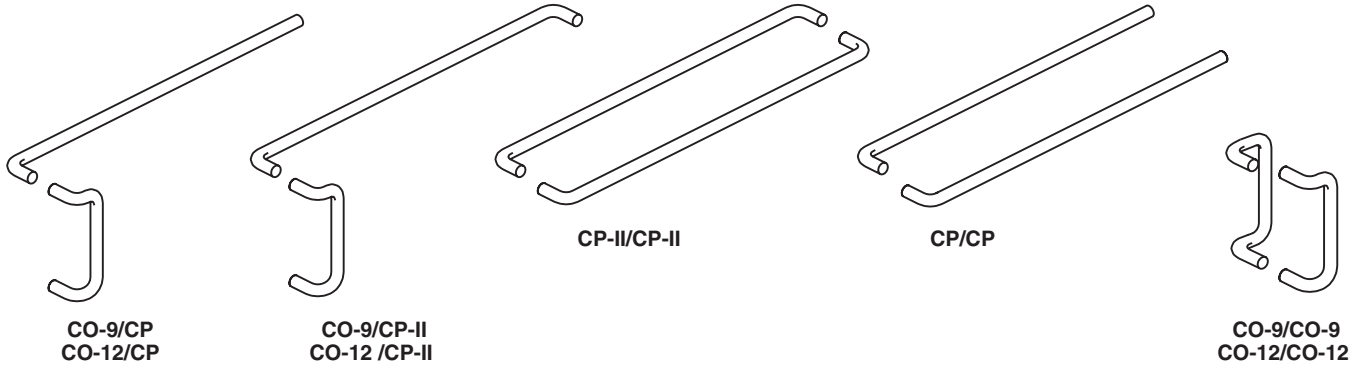
Laws and building and safety codes governing the design and use of glazed entrance, window, and curtain wall products vary widely. Kawneer does not control the selection of product configurations, operating hardware, or glazing materials, and assumes no responsibility therefor.

Kawneer reserves the right to change configuration without prior notice when deemed necessary for product improvement.  
© Kawneer Company, Inc., 2014

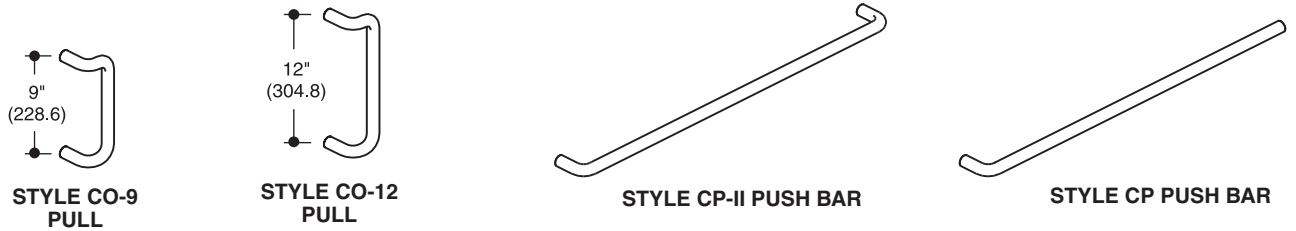
REFER TO **HARDWARE SECTION** FOR COMPLETE HARDWARE INFORMATION.

**ARCHITECTS CLASSIC (PUSH PULL SETS)**

SINGLE ACTING DOORS USE A PULL HANDLE AND PUSH BAR AS STANDARD

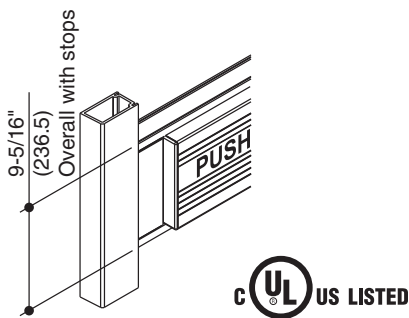


**ARCHITECTS CLASSIC (COMPONENTS)**

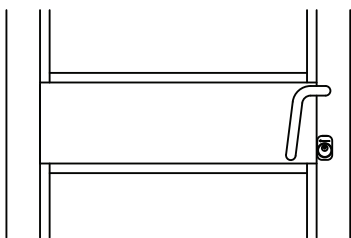


**EXIT DEVICES**

**KAWNEER PANELINE™ / PANELINE™ EL**



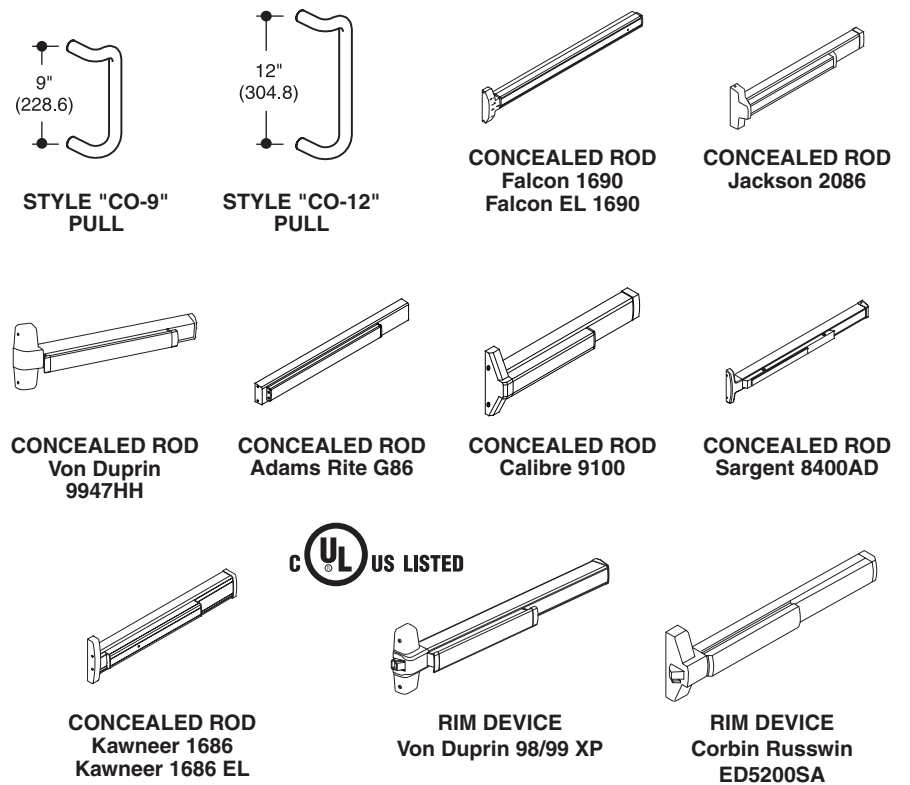
**STYLE "CPN" PULL ON EXTERIOR OF DOOR**



EXTERIOR VIEW OF 350 IR DOOR (500 IR SIMILAR)  
"CPN" PULL AND OPTIONAL CYLINDER GUARD SHOWN.

SEE PAGE 14 AND 15 FOR COMPLETE  
PANELINE™ INFORMATION

**EXIT DEVICES AND PULLS**



Laws and building and safety codes governing the design and use of glazed entrance, window, and curtain wall products vary widely. Kawneer does not control the selection of product configurations, operating hardware, or glazing materials, and assumes no responsibility therefor.

Kawneer reserves the right to change configuration without prior notice when deemed necessary for product improvement.  
© Kawneer Company, Inc., 2014

 Hurricane Resistant Product

SCALE 3" = 1' - 0"

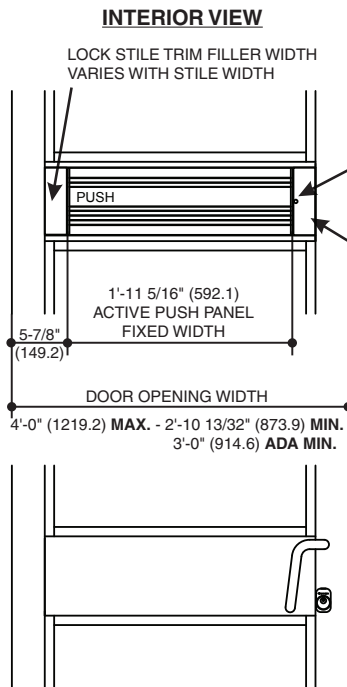
## PANELINE™ EXIT DEVICE

The Paneline™ concealed rod exit device will accommodate variations in door width as shown in the following illustrations.

The Optional Paneline™ EL device is designed for electrified access control and is compatible with most key pad and card reader systems.

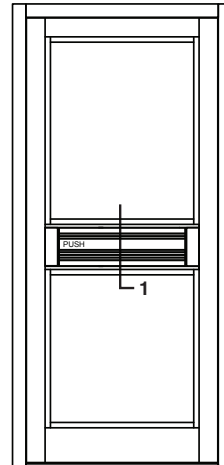
See **Hardware Section** for complete description of Paneline hardware, including finish of units.

Paneline™ uses mortise cylinder in lieu of the normal rim-type.

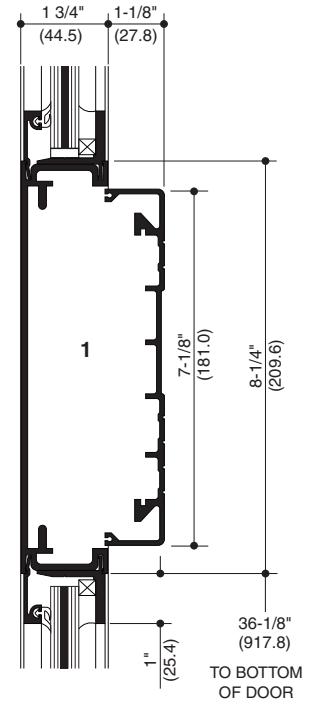


**EXTERIOR VIEW**

EXTERIOR VIEW OF 350 IR DOOR (500 IR SIMILAR) WITH "CPN" PULL AND OPTIONAL CYLINDER GUARD SHOWN

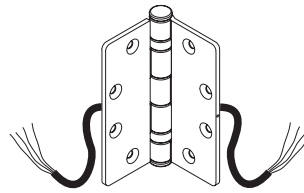


**INTERIOR ELEVATION**

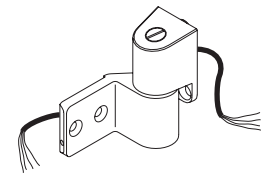


**CROSS RAIL WITH EXIT DEVICE AND CPN PULL HANDLE**

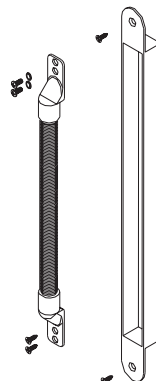
## PANELINE™ EL COMPONENTS



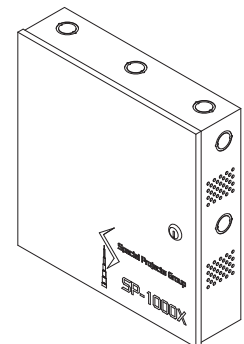
**POWER TRANSFER INTERMEDIATE BUTT HINGE**



**POWER TRANSFER INTERMEDIATE OFFSET PIVOT**



**ELECTRIC POWER TRANSFER (EPT)**



**SP-1000X POWER SUPPLY**

Laws and building and safety codes governing the design and use of glazed entrance, window, and curtain wall products vary widely. Kawneer does not control the selection of product configurations, operating hardware, or glazing materials, and assumes no responsibility therefor.

Kawneer reserves the right to change configuration without prior notice when deemed necessary for product improvement.  
© Kawneer Company, Inc., 2014

### PANELINE™ EXIT DEVICE

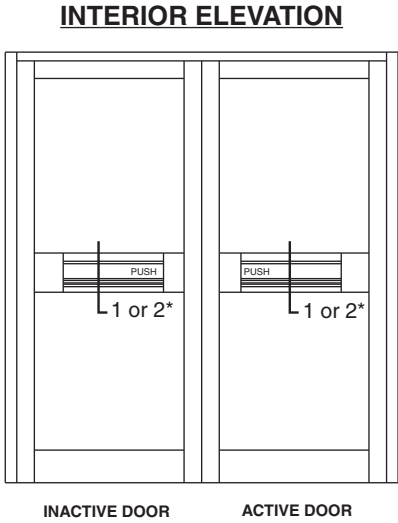
See **Hardware Section** for complete description of Paneline™ hardware, including finish of units.

Paneline™ uses mortise cylinder in lieu of the normal rim-type.

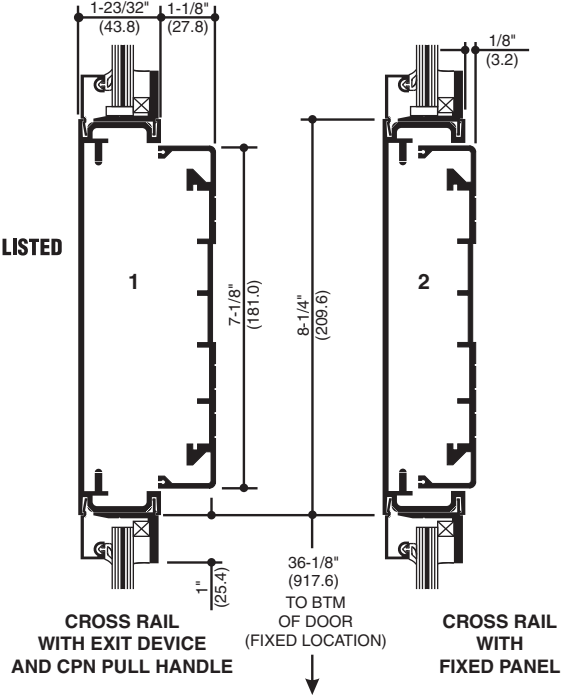
Laws and building and safety codes governing the design and use of glazed entrance, window, and curtain wall products vary widely. Kawneer does not control the selection of product configurations, operating hardware, or glazing materials, and assumes no responsibility therefor.

Kawneer reserves the right to change configuration without prior notice when deemed necessary for product improvement.

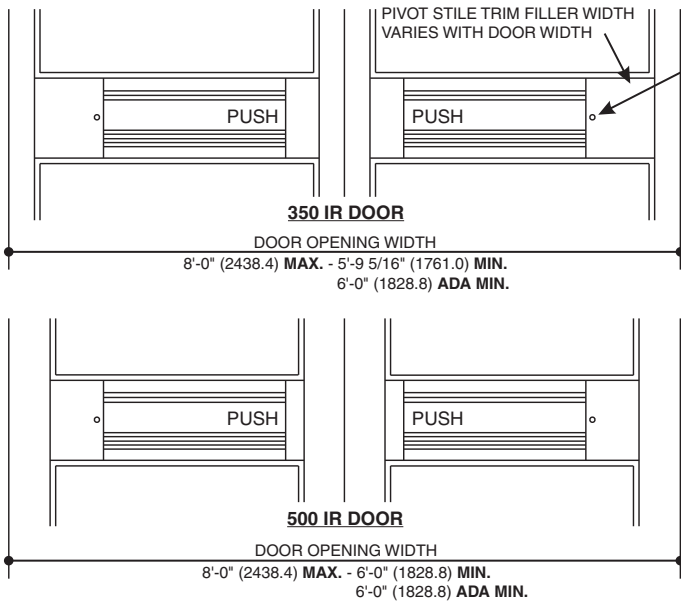
© Kawneer Company, Inc., 2014



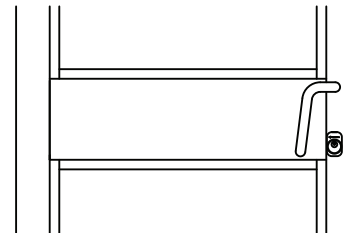
\* ALTERNATE CROSSRAIL FOR VESTIBULE DOORS (Without Exit Device or Lock)



### INTERIOR VIEW



STYLE "CPN" PULL ON EXTERIOR OF DOOR

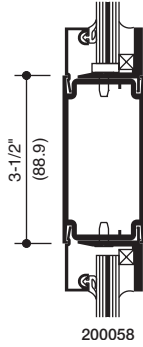


### EXTERIOR VIEW

EXTERIOR VIEW OF 350 IR DOOR (500 IR SIMILAR) WITH "CPN" PULL AND STANDARD CYLINDER GUARD SHOWN

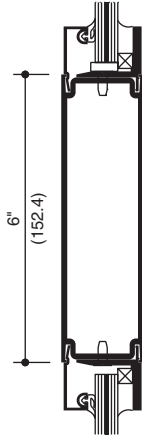
**HORIZONTAL CROSS RAILS**

**3-1/2" CROSS RAIL**



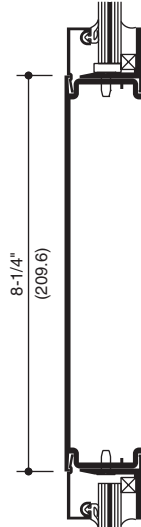
200058

**6" CROSS RAIL**



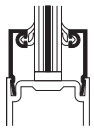
200053

**8-1/4" CROSS RAIL**

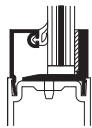


200059

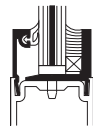
**INFILL OPTIONS**



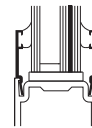
**9/16" IMPACT GLASS STOP**  
(Dry Glaze)  
**(STANDARD)**



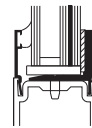
**9/16" IMPACT GLASS STOP**  
(3M Tape Glaze)



**9/16" IMPACT GLASS STOP**  
(Structural Silicone Glaze)



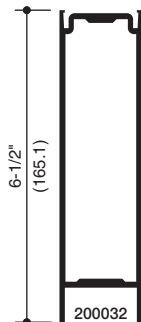
**1" IMPACT GLASS STOP**  
(Dry Glaze)



**1" IMPACT GLASS STOP**  
(3M Tape Glaze)

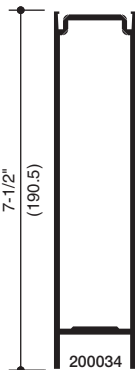
**BOTTOM RAILS**

Rail height shown may be used on 350 IR and 500 IR doors.



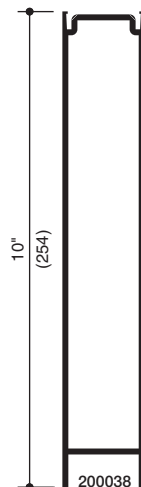
200032

**6-1/2" BOTTOM RAIL**  
**(STANDARD)**



200034

**7-1/2" BOTTOM RAIL**



200038

**10" BOTTOM RAIL**

Laws and building and safety codes governing the design and use of glazed entrance, window, and curtain wall products vary widely. Kawneer does not control the selection of product configurations, operating hardware, or glazing materials, and assumes no responsibility therefor.

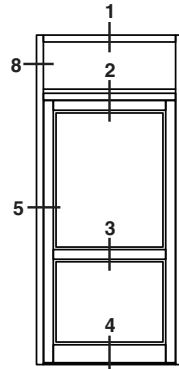
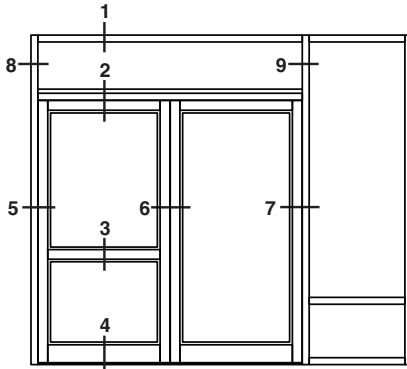
Kawneer reserves the right to change configuration without prior notice when deemed necessary for product improvement.  
© Kawneer Company, Inc., 2014



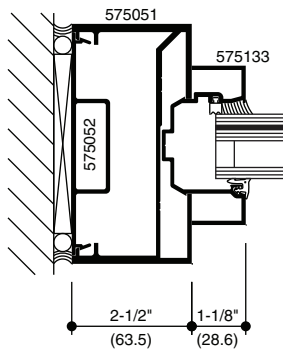
### SCALE 3" = 1'-0"

#### NOTE:

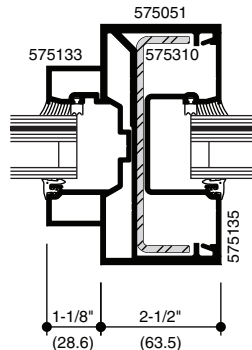
- 350 IR MEDIUM STILE DOORS ARE DETAILED. 500 IR WIDE STILE DOORS MAY ALSO BE USED.
- IR 501 FRAMING WITH 1-5/16" (33.3) GLAZING IS DETAILED WITH THESE DOORS.



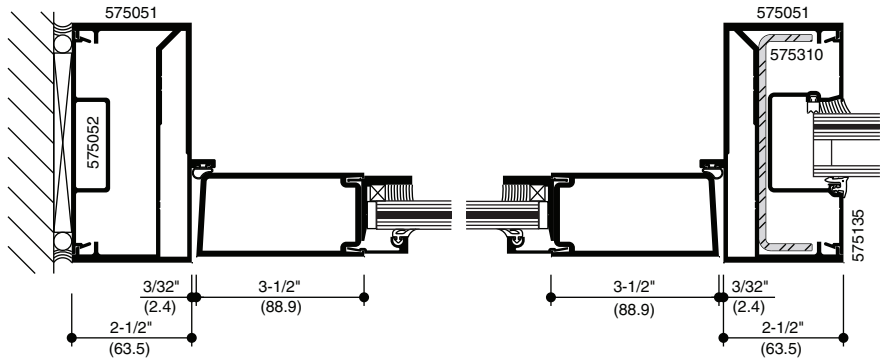
ELEVATION IS NUMBER KEYED TO DETAILS



**8**  
DOOR JAMB  
AT TRANSOM

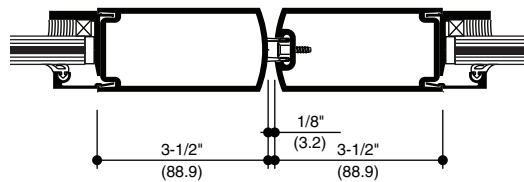


**9**  
DOOR JAMB  
AT TRANSOM

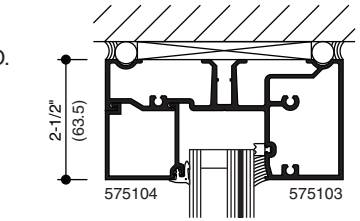


**5**  
DOOR JAMB

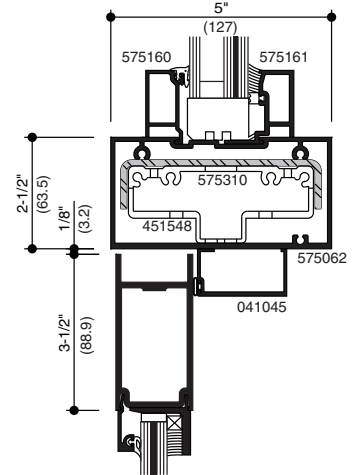
**7**  
DOOR JAMB



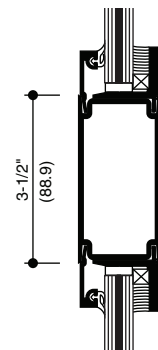
**6**  
PAIR OF DOORS



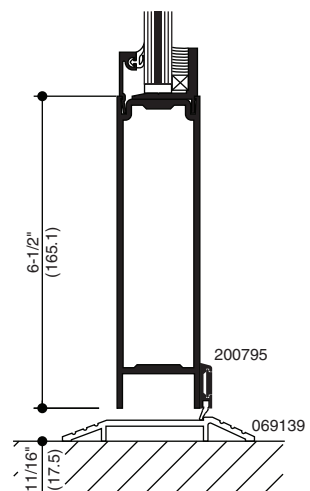
**1**  
TRANSOM HEAD



**2**  
DOOR WITH TRANSOM



**3**  
CROSS RAIL



**4**  
THRESHOLD

Laws and building and safety codes governing the design and use of glazed entrance, window, and curtain wall products vary widely. Kawneer does not control the selection of product configurations, operating hardware, or glazing materials, and assumes no responsibility therefor.

Kawneer reserves the right to change configuration without prior notice when deemed necessary for product improvement.

© Kawneer Company, Inc., 2014

**Blast Mitigation Product**

| LOCKING OPTIONS                              | MAXIMUM DOOR SIZE  | MAXIMUM BLAST LOADING                                     | HINGING OPTIONS | GLAZING STOP OPTIONS | GLASS THICKNESS |
|--|--|---|-----------------|----------------------|-----------------|
| Kawneer 1686<br>Concealed Rod<br>Exit Device | Single 4'-0" x 8'-0" (1219.2 x 2438.4)<br>Pair 8'-0" x 8'-0" (2438.4 x 2438.4) | Peak Pressure:<br>5.8 PSF<br><br>Impulse:<br>41 PSI/M-SEC | Offset Pivots   | 1                    | 9/16" (14.3)    |

**Test conditions shown. Other conditions may be supported through calculation.**

**Glazing Stop Options:**

- 1 - Structural silicone with 0.060 Kuraray or Eastman PVB inter layer.

Laws and building and safety codes governing the design and use of glazed entrance, window, and curtain wall products vary widely. Kawneer does not control the selection of product configurations, operating hardware, or glazing materials, and assumes no responsibility therefor.

Kawneer reserves the right to change configuration without prior notice when deemed necessary for product improvement.  
© Kawneer Company, Inc., 2014

**STANDARD**

**OPTIONAL**

| Doors                            | Medium stile 350 IR   | Wide stile 500 IR  |
|----------------------------------|---|--|
| <b>Door Sizes</b>                | Maximum size shown on page 11.  | Maximum door sizes are determined by hardware type, refer to specific hardware for size limitations.   |
| <b>Glass Stops</b>               | Square stops for 9/16" (14.3) infill, interior and exterior snap in glass stop.   | Square stops for 9/16" (14.3) or 1" (25.4) infill, interior screw applied glass stop with 3M VHB structural tape.<br>Square stops for 9/16" (14.3) infill, interior screw applied glass stop with silicone seal.<br>Square stops for 1" (25.4) infill, interior and exterior snap in glass stop.   |
| <b>Door Frames</b>               | <b>IR 500</b> 2-1/2" x 5" (63.5 x 127)  | <b>*IR 501</b> 2-1/2" x 5" (63.5 x 127)<br><b>*IR 501T/UT</b> 2-3/4" x 5" (69.9 x 127)<br><b>Trifab™ VG 450</b> 1-3/4" x 4-1/2" (44.5 x 114.3)<br><b>Trifab™ VG 451</b> 2" x 4-1/2" (50.8 x 114.3)<br><b>Trifab™ VG 451T</b> 2" x 4-1/2" (50.8 x 114.3)<br><b>Trifab™ 601/601T</b> 2" x 6" (50.8 x 152.4)<br><b>1600 sub-frame</b> with door jamb adaptors and sub-head  |
| <b>Push-Pulls</b>                | <b>Single Acting:</b> Architects Classic Hardware "CO-9" Pull and "CP-II" Push Bar.<br><br>Architects Classic Hardware "CO-9" Pull and "CP" Push Bar.   | <b>Single Acting:</b> Architects Classic Hardware "CO-12" and "CP-II" push bar.<br><br>Architects Classic Hardware "CO-12" and "CP" push bar.<br><br>Architects Classic Hardware "CO-9"/"CO-9" Pulls.<br><br>Architects Classic Hardware "CO-12"/"CO-12" Pulls.  |
| <b>Door Closers</b>              | <b>Single Acting:</b> Norton 1601 Adjustable or 1601 BF Adjustable Surface Closer with back-check, with or without adjustable hold open.<br><br>Standard concealed overhead closer with single acting offset arm. | <b>Single Acting:</b> LCN 4040 surface closer with or without adjustable hold-open.<br><br>LCN 2010, 2030 or 5010 concealed overhead closers with or without hold-open.<br><br>LCN 1260 adjustable surface closer.<br><br>Norton 8100 surface closer with a 50% spring power adjustment (for opening forces of less than 8 pounds). Closer is available with standard back-checks and with or without the hold-open feature.<br><br>International single acting concealed overhead closer.<br><br>Falcon SC 60 Surface closer. |
| <b>Hinging</b>                   | <b>Single Acting:</b> Kawneer top and bottom offset pivots (or) Kawneer top and bottom 4 1/2" x 4" (114.3 x 101.6) ball bearing butt hinge with non-removable pin (NRP) (or) Kawneer continuous gear hinge.       | ---  |
| <b>Intermediate Pivots/Butts</b> | <b>Single Acting:</b> Kawneer intermediate offset pivot (or) Kawneer 4-1/2" x 4" (114.3 x 101.6) ball bearing butt hinge with non-removable pin (NRP).  | ---  |
| <b>Locking</b>                   | MS 1850 Deadbolt 3-Point Lock with 4016 Top Bolt and 4056 Bottom Bolt. Hurricane Resistant Flush Bolts required on pairs.   | Adams Rite 2180 Dead Lock Flush Bolt for pair only.  |

**NOTE:**

\*IR 501 door frame uses IR 500 door jamb with IR 501 filler.

Vertical text on the left side of the page: Laws and building and safety codes governing the design and use of glazed entrance, window, and curtain wall products vary widely. Kawneer does not control the selection of product configurations, operating hardware, or glazing materials, and assumes no responsibility therefor.

Vertical text on the left side of the page: Kawneer reserves the right to change configuration without prior notice when deemed necessary for product improvement.  
© Kawneer Company, Inc., 2014

|                    | STANDARD   | OPTIONAL  |
|--------------------|--|---|
| <b>Doors</b>       | Medium stile 350 IR  | Wide stile 500 IR   |
| <b>Thresholds</b>  | A 1/2" x 4" (12.7 x 101.6) aluminum mill finish threshold.   | ---   |
| <b>Weathering</b>  | <b>Single Acting:</b> Weathering system in the door and frame consisting of a dense, bulb polymeric material, which remains resilient and retains its weathering ability under temperature extremes. (The system is complete with an optional EPDM blade gasket sweep strip applied to the bottom door rail with concealed fasteners). | Bottom Door Sweep   |
| <b>Exit Device</b> | <b>Kawneer 1686 Concealed Rod Exit Device</b> with or without a mortised type cylinder.  | <b>Kawneer Paneline™ Conc. Rod Exit Device</b><br><b>Kawneer Paneline™ EL Conc. Rod Exit Device</b><br><b>Jackson 2086 Concealed Rod Exit Device</b><br><b>Adams Rite G86 Conc. Rod Exit Device</b><br><b>Calibre 9100 Conc. Rod Exit Device</b><br><b>Falcon HH1690 Conc. Rod Exit Device</b><br><b>Sargent 8400AD Concealed Rod Exit Device</b><br><b>Von Duprin HH9947 Conc. Rod Exit Device</b><br><b>Von Duprin 98/99 XP Rim Device</b><br><b>Corbin Russwin ED5200SA Rim Device</b> |
|                    | <b>Exit Device Pulls:</b><br>Architects Classic style "CO-9" Pull with Kawneer 1686 exit device.<br>Architects Classic style "CPN" Pull for Paneline™ and Paneline™ EL exit devices.   | <b>Optional Exit Device Pulls:</b><br>Architects Classic style "CO-12" Pull with Kawneer 1686 exit device.  |

**NOTE:**

\*IR 501 door frame uses IR 500 door jamb with IR 501 filler.

Laws and building and safety codes governing the design and use of glazed entrance, window, and curtain wall products vary widely. Kawneer does not control the selection of product configurations, operating hardware, or glazing materials, and assumes no responsibility therefor.

Kawneer reserves the right to change configuration without prior notice when deemed necessary for product improvement.  
© Kawneer Company, Inc., 2014